

Engine Spare parts Catalogue

Catalogo ricambi Motore

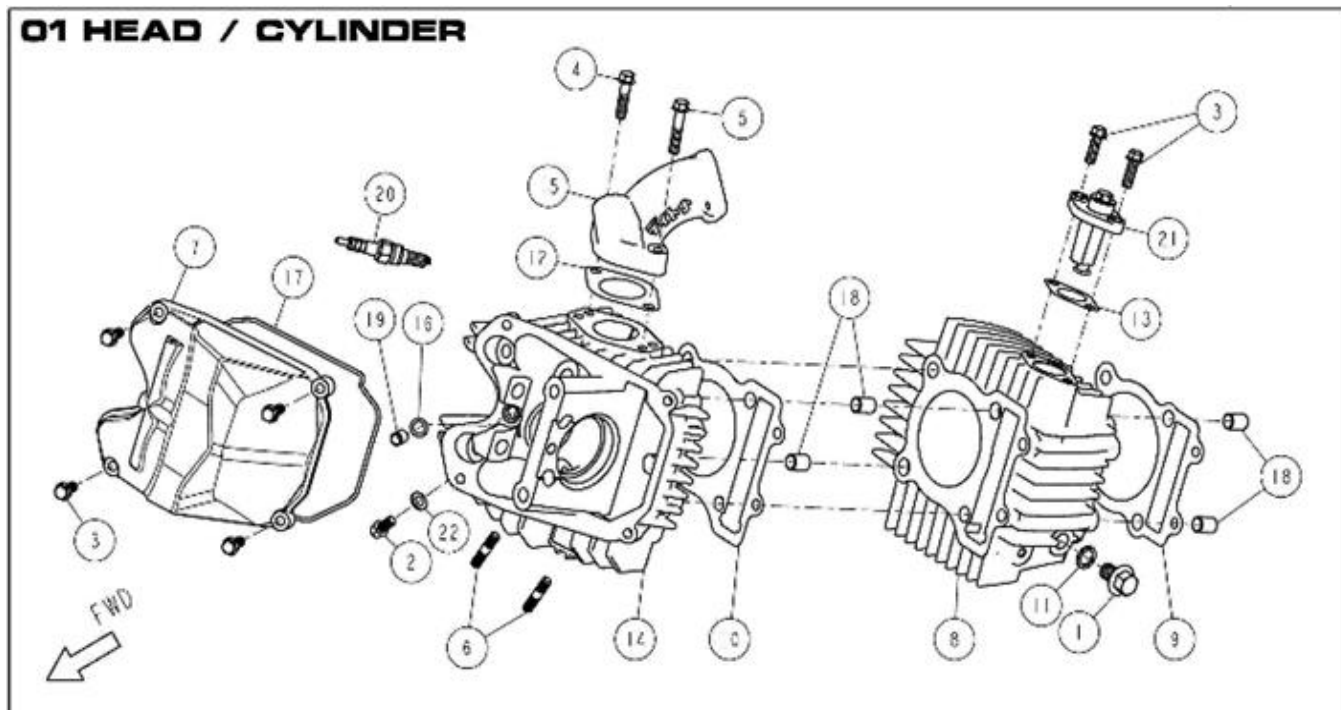
190 DAYTONA



GP40

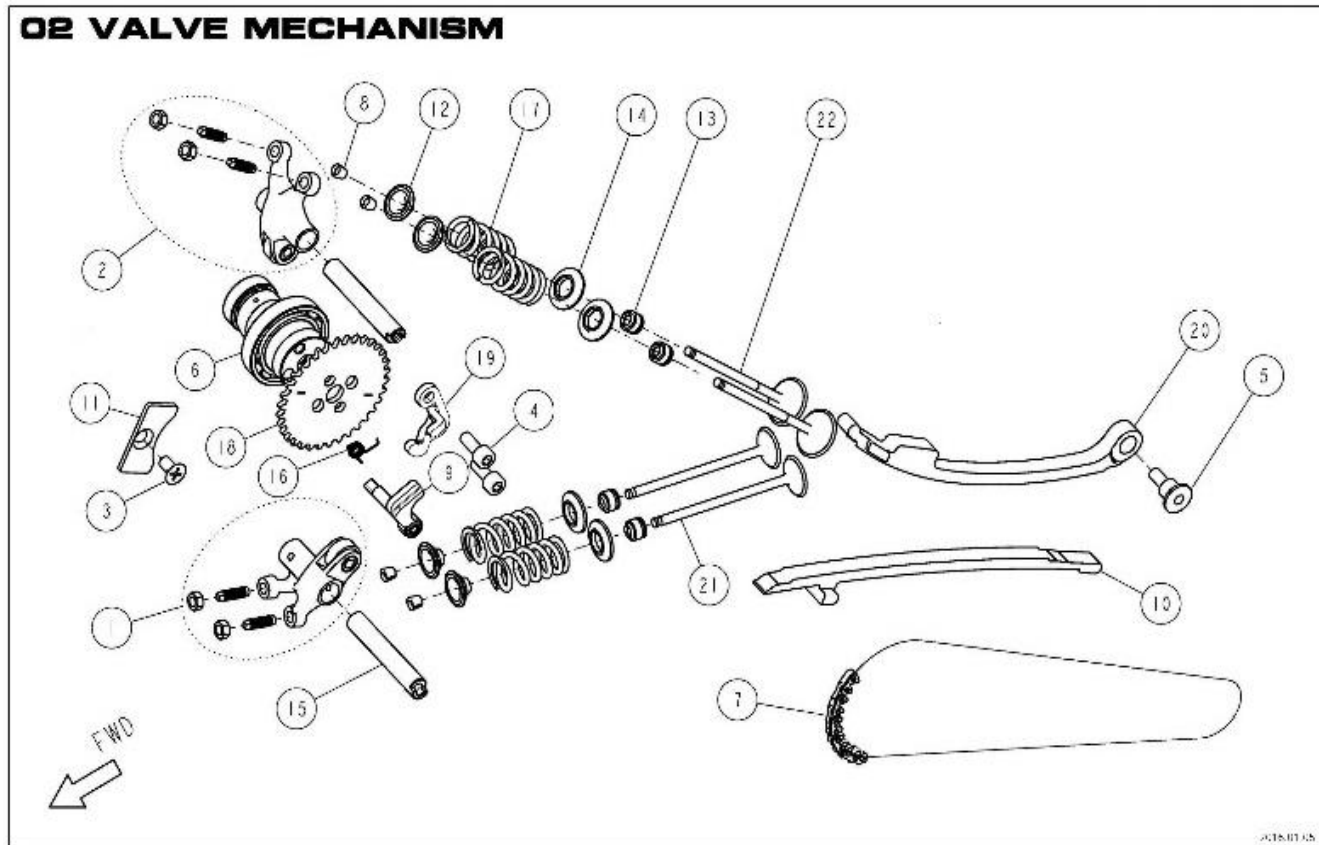
GP2

01 HEAD / CYLINDER



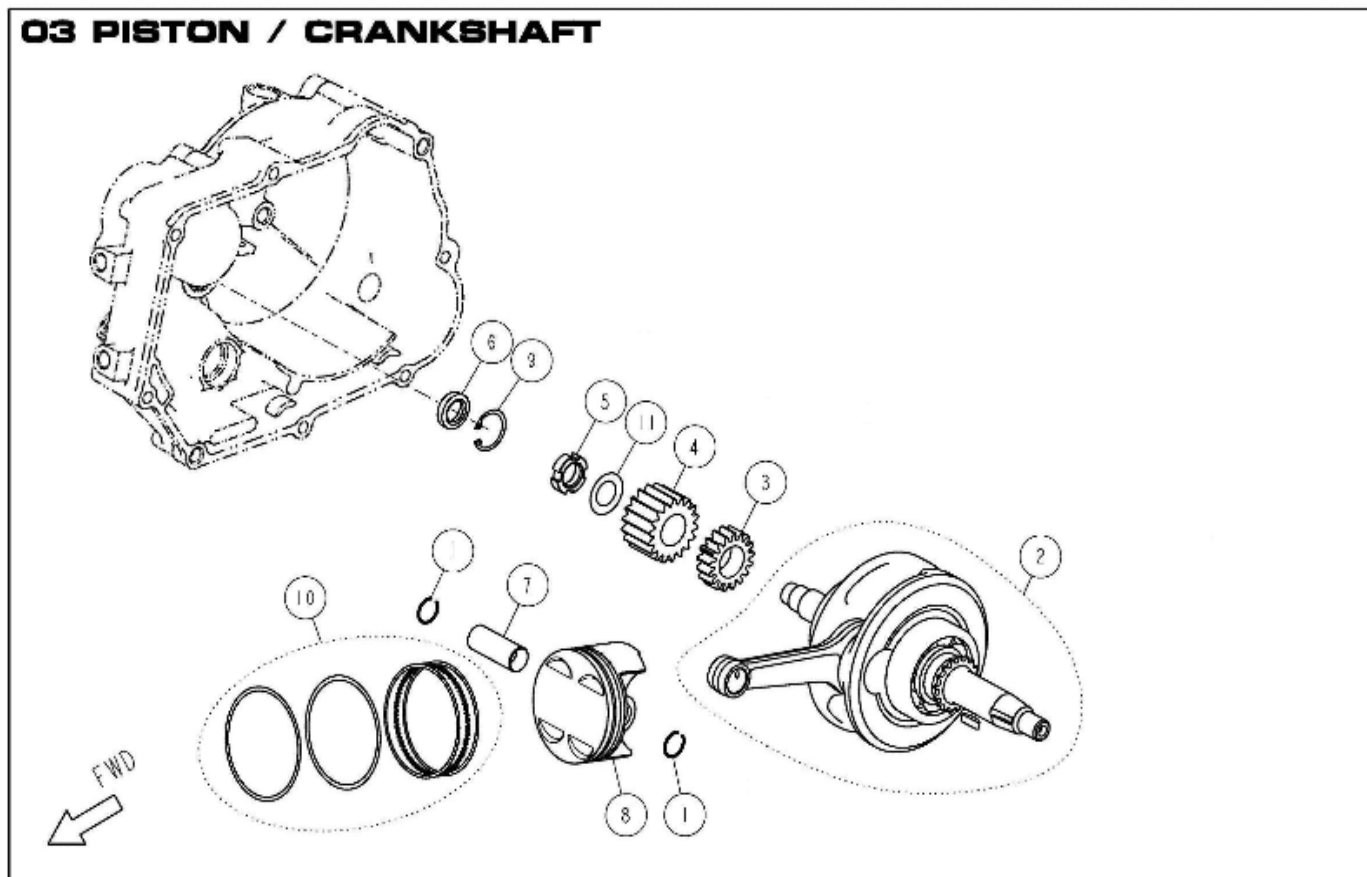
Ref	4 speed		CODE	DESCRIZIONE	DESCRIPTION	QTY
	190 FDX	190 FSM				
1	•	•	01.SD.0101.L	VITE FLANGIATA M10x16	BOLT, HEXAGON FLANGE M10x16	1
2	•	•	01.SD.0102.L	VITE FLANGIATA M6x12	BOLT, HEXAGON FLANGE M6x12	1
3	•	•	01.SD.0103.L	VITE FLANGIATA M16x18	BOLT, HEXAGON FLANGE M6x18	1
4	•	•	01.SD.0104.L	VITE FLANGIATA M6x25	BOLT, HEXAGON FLANGE M6x25	1
5	•	•	01.SD.0105.L	VITE FLANGIATA M6x30	BOLT, HEXAGON FLANGE M6x30	1
6	•	•	01.SD.0106.L	VITE PRIGIONIERA M6x32	BOLT, STUD M6x32	1
7	•	•	01.SD.0107.L	COPERCHIO TESTA 190	COVER, CYLINDER HEAD	1
8	•	•	01.SD.0108.L	CILINDRO 190	CYLINDER 190	1
9	•	•	01.SD.0109.L	GUARNIZIONE BASE CILINDRO 190	GASKET, BASE CYLINDER 190	1
10	•	•	01.SD.0110.L	GUARNIZIONE TESTA 190	GASKET, HEAD CYLINDER	1
11	•	•	01.SD.0111.L	GUARNIZIONE M10	GASKET, M10	1
12	•	•	01.SD.0112.L	GUARNIZIONE COLL ASPIRAZ 190	GASKET, MANIFOLD	1
13	•	•	01.SD.0113.L	GUARNIZIONE TENDITORE 190	GASKET, TANSIONER CAM CHAIN	1
14	•	•	01.SD.0114.L	TESTA CILINDRO 190	HEAD, CYLINDER	1
15	•	•	01.SD.0115.L	old COLLETTORE ALL ASPIRAZ. 190	MANIFOLD, INTAKE	1
16	•	•	01.SD.0116.L	ORING 190	O-RING	1
17	•	•	01.SD.0117.L	ORING COPERCHIO TESTA 190	O-RING, COVER HEAD	1
18	•	•	01.SD.0118.L	PIN d.10 x d.8,4 x14	PIN, DOWEL $\Phi 10 \times \Phi 8.4 \times 14$	1
19	•	•	01.SD.0119.L	PIN d.8 x d.6,3 x12	PIN, DOWEL $\Phi 8 \times \Phi 6.3 \times 12$	1
20	•	•	01.MO.0101.L	CANDELA NGK ER9EH	SPARK PLUG NGK ER9EH	1
21	•	•	01.SD.0121.L	TENDITORE CATENA DIST. 190	TENSIONER, CAM CHAIN COMP	1
22	•	•	01.SD.0122.L	RONDELLA d.6.3 x d. 12 x 15	WASHER, $\Phi 6.3 \times \Phi 12 \times 1.5$	1
	•	•	01.AS.0102.L	old COLLETTORE GOMMA ASP 190	old RUBBER MAINFOLD STD	1
	•	•	01.AS.0130.L	KIT COLLETTORE DAYTONA 15deg	15deg COMPLETE MAINFOLD KIT	1
	•	•	01.AS.0133.L	MANICOTTO GOMM 15deg made in ita	15deg RUBBER MAINFOLD made in ita	1
	•	•	01.AS.0134.L	COLLETT ALLUM 15DEG DAYTONA	15deg ALLOY MAINFOLD	1

02 VALVE MECHANISM



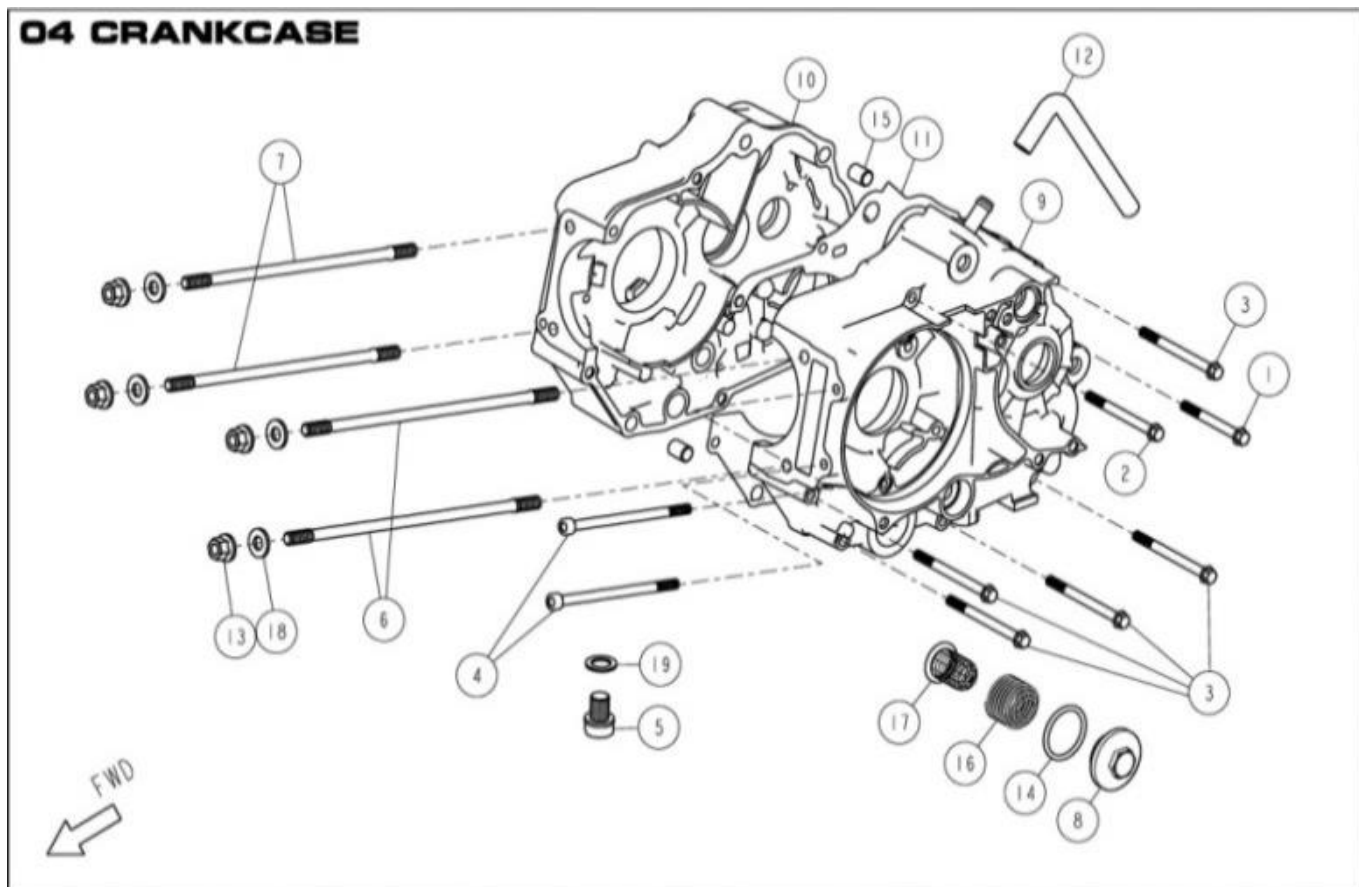
Ref	4 speed		CODE	DESCRIZIONE	DESCRIPTION	QTY
	190 FDX	190 FSM				
1	•	•	01.SD.0201.L	BILANCERE SCARICO 190	ARM, ROCKER ROLLER EXHAUST CO	1
2	•	•	01.SD.0202.L	BILANCERE ASPIRAZIONE 190	ARM, ROCKER ROLLER INTAKE COM	1
3	•	•	01.SD.0203.L	VITE FISSAGGIO STOP CAM 190	BOLT, COUNTERSINK M6x15	1
4	•	•	01.SD.0204.L	VITE M6X16	SCREW M6X16	1
5	•	•	01.SD.0205.L	VITE FISS PATTINO SUPER. 190	BOLT, TENSIONER	1
6	•	•	01.SD.0206.L	ALBERO A CAMME 190	CAMSHAFT 240° ROLLER DECOMP	1
7	•	•	01.SD.0207.L	CATENA DISTRIBUZIONE 190	CHAIN, CAMSHAFT DRIVE	1
7	•	•	01.MO.0103.L	CATENA DISTRIB. DID	DID CHAIN, CAMSHAFT DRIVE	1
8	•	•	01.SD.0208.L	SEMICONI PIATTELLI VALV. 190	COTTER, VALVE	1
9	•	•	01.SD.0209.L	ALBERO DECOMP 190	SHAFT W/WEIGHT,DECOMP. VER3	1
10	•	•	01.SD.0210.L	PATTINO INF. CATENA DIST 190	GUIDE , CHAIN CAMSHAFT	1
11	•	•	01.SD.0211.L	FERMO ALBERO A CAMME 190	PLATE, STOPPER CAM	1
12	•	•	01.SD.0212.L	PIATTELLO MOLLA 190	RETAINER, SPRING VALVE	1
13	•	•	01.SD.0213.L	PARAOILIO VALVOLA 190	SEAL, VALVE STEM Ø4.5	1
14	•	•	01.SD.0214.L	BASE MOLLA VALVOLA 190	SEAT, SPRING VALVE	1
15	•	•	01.SD.0215.L	ALBERO BILANCERE 190	SHAFT, ROCKER	1
16	•	•	01.SD.0216.L	MOLLA RITORNO DECOMP 190	SPRING,RETURN DECOMP. VER2	1
17	•	•	01.SD.0217.L	MOLLA VALVOLE 190	SPRING, VALVE PLAN-G	1
18	•	•	01.SD.0218.L	CORONA DISTRIBUZIONE 190	SPROCKET, CAMSHAFT DRIVEN	1
19	•	•	01.SD.0219.L	FERMO DECOMP 190	PLATE,STOPPER DECOMP. VER2	1
20	•	•	01.SD.0220.L	PATTINO SUP CATENA DIST 190	TENSIONER, CAM CHAIN	1
21	•	•	01.SD.0221L	VALVOLA SCARICO 190	VALVE, EXHAUST Ø21	1
22	•	•	01.SD.0222L	VALVOLA ASPIRAZIONE 190	VALVE, INTAKE Ø24.5	1

03 PISTON / CRANKSHAFT



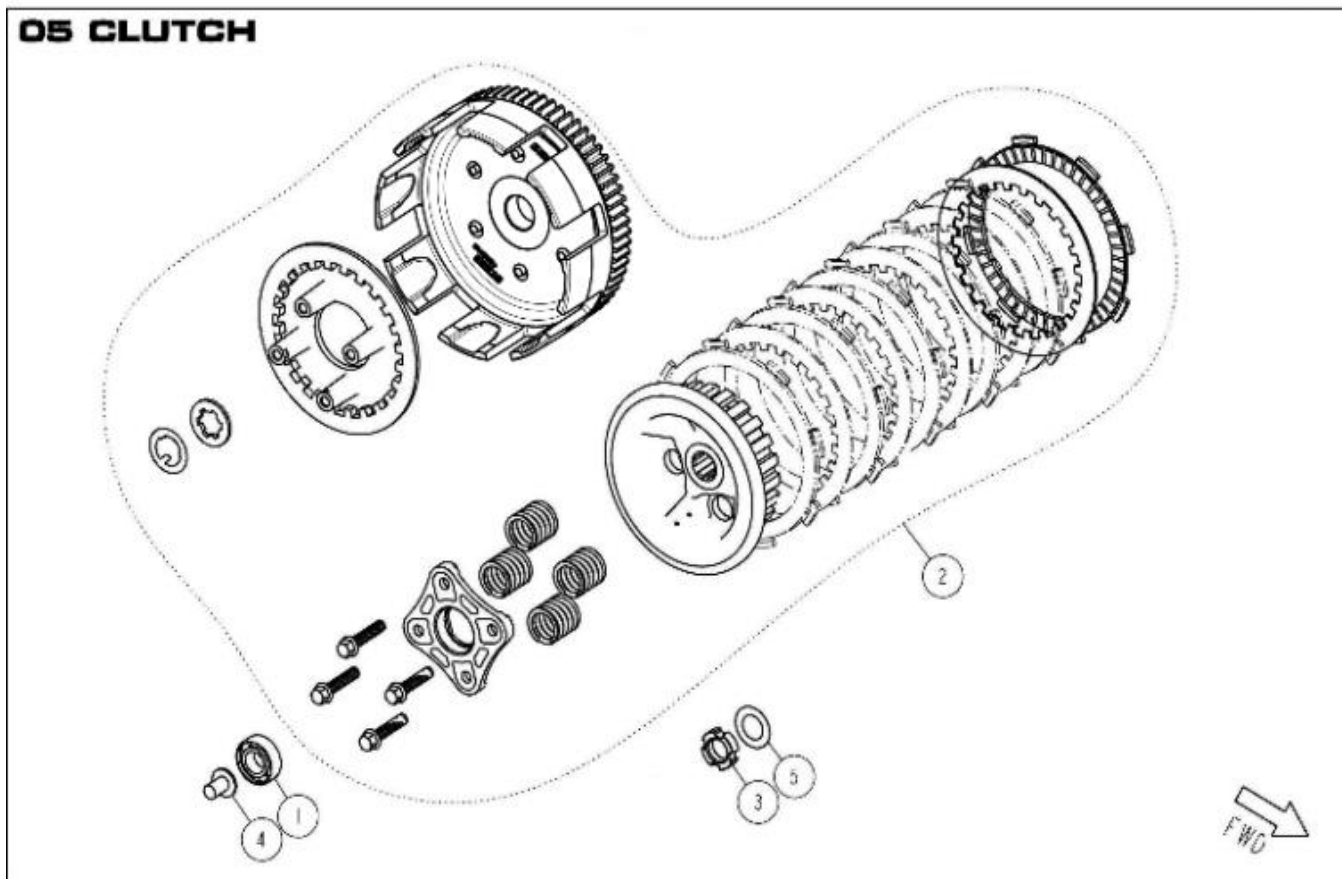
Ref	4 speed		CODE	DESCRIZIONE	DESCRIPTION	QTY
	190 FDX	190 FSM				
1	●	●	01.SD.0301.L	ANELLO ELASTICO SPINOTTO 190	CLIP, PIN PISTON	1
2	●	●	01.SD.0303.L	ALBERO MOTORE Daytona 4S	CRANKSHAFT Daytona 4speed	1
3	●	●	01.SD.0304.L	INGRANAGGIO POMPA OLIO 190	GEAR, OIL PUMP DRIVE	1
4	●	●	01.SD.0305.L	INGRANAGGIO PRIMARIO 190	GEAR, PRIMARY DRIVE	1
5	●	●	01.SD.0306.L	GHIERA M14 FISSAGGIO	NUT, SMALL M14	1
6	●	●	01.SD.0307.L	PARAOLIO d. 12 x d. 20 x 5t	OIL SEAL, Φ12xΦ20x5t	1
7	●	●	01.SD.0308L	SPINOTTO PISTONE 190	PIN, PISTON Φ14	1
8	●	●	01.SD.0310.L	PISTONE 190	PISTON DT190	1
9	●	●	01.SD.0311.L	ANELLO ELASTICO RTWN22	RETAINING RING, RTWN22	1
10	●	●	01.SD.0312.L	KIT FASCE ELASTICHE 190	RING SET, PISTON 190	1
11	●	●	01.SD.0313.L	RONDELLA MOLLA	WASHER, SPRING	1

04 CRANKCASE



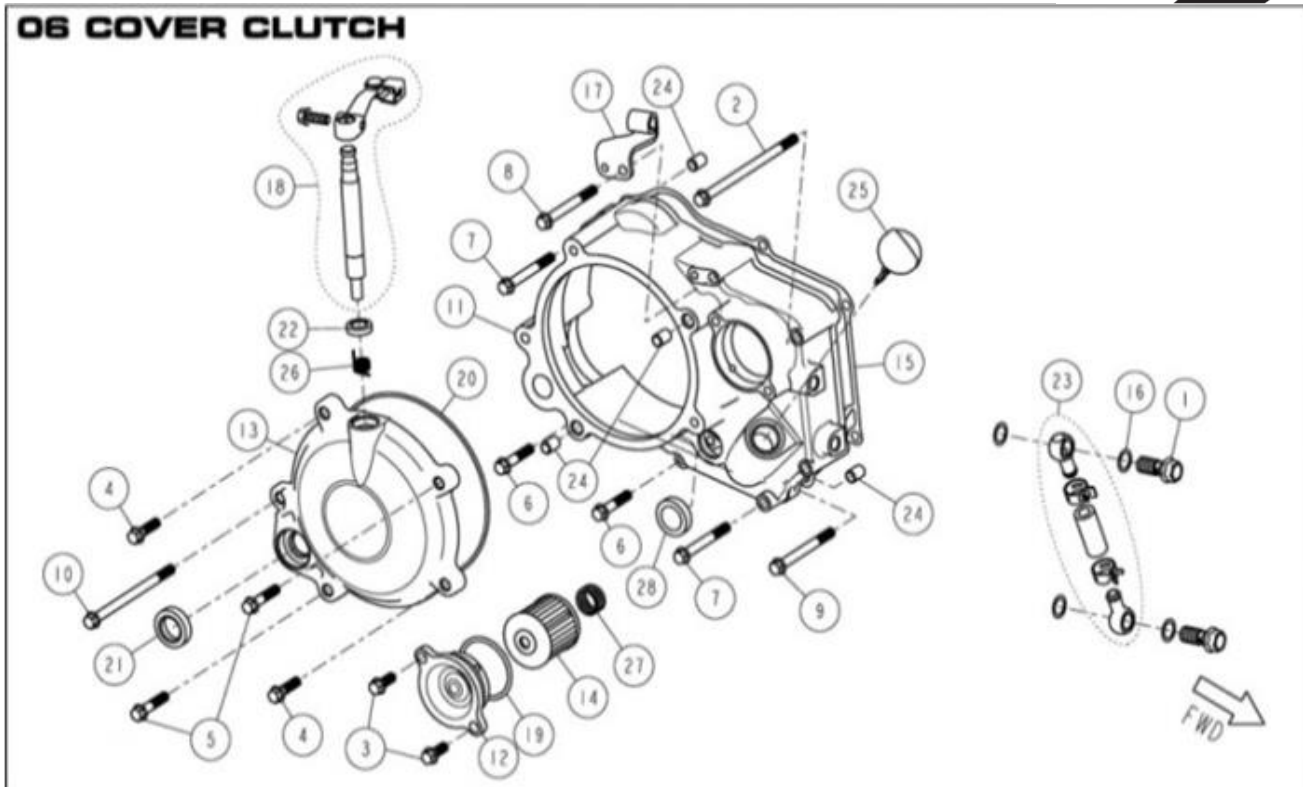
Ref	4 speed		CODE	DESCRIZIONE	DESCRIPTION	QTY
	190 FDX	190 FSM				
1	●	●	01.SD.0401.L	VITE FLANGIATA M6X55	BOLT, HEXAGON FLANGE M6x55	1
2	●	●	01.SD.0402.L	VITE FLANGIATA M6X65	BOLT, HEXAGON FLANGE M6x65	1
3	●	●	01.SD.0403.L	VITE FLANGIATA M6X70	BOLT, HEXAGON FLANGE M6x70	1
4	●	●	01.SD.0404.L	VITE FLANGIATA M6X105	BOLT, HEXAGON SOCKET M6x108	1
5	●	●	01.SD.0405.L	VITE SCARICO OLIO	BOLT, OIL DRAIN M12x15	1
6	●	●	01.SD.0406.L	PRIGIONIERO M8x223	BOLT, STUD A	1
7	●	●	01.SD.0407.L	PRIGIONIERO M8x203	BOLT, STUD B	1
8	●	●	01.SD.0408.L	COPERCHIO FILTRO OLIO INF 190	COVER, STRAINER OIL	1
9	●	●	01.SD.0409.L	CARTER MOTORE 190 4S - SX	CRANK CASE, LH 4speed	1
10	●	●	01.SD.0410.L	CARTER MOTORE 190 4S - DX	CRANK CASE, RH 4speed	1
11	●	●	01.SD.0411.L	GUARNIZIONE CENT. CARTER 190	GASKET, CRANKCASE	1
13	●	●	01.SD.0413.L	DADO FLANGIATO M8	NUT FLANGE, M8	1
14	●	●	01.SD.0414.L	O-RING COPERCHIO OLIO INF. 190	O-RING, $\Phi 30 \times \Phi 3$	1
15	●	●	01.SD.0118.L	PIN d.10 x d.8,4 x14	PIN, DOWEL $\Phi 10 \times \Phi 8.4 \times 14$	1
16	●	●	01.SD.0416.L	MOLLA FILTRO OLIO INF. 190	SPRING, STRAINER	1
17	●	●	01.SD.0417.L	FILTRO OLIO 190 - INFERIORE	STRAINER, OIL	1
18	●	●	01.SD.0418.L	GUARNIZIONE RONDELLA M8	WASHER, GASKET M8	1
19	●	●	01.SD.0419.L	GUARNIZIONE RONDELLA M12	WASHER, OIL DRAIN M12	1

05 CLUTCH



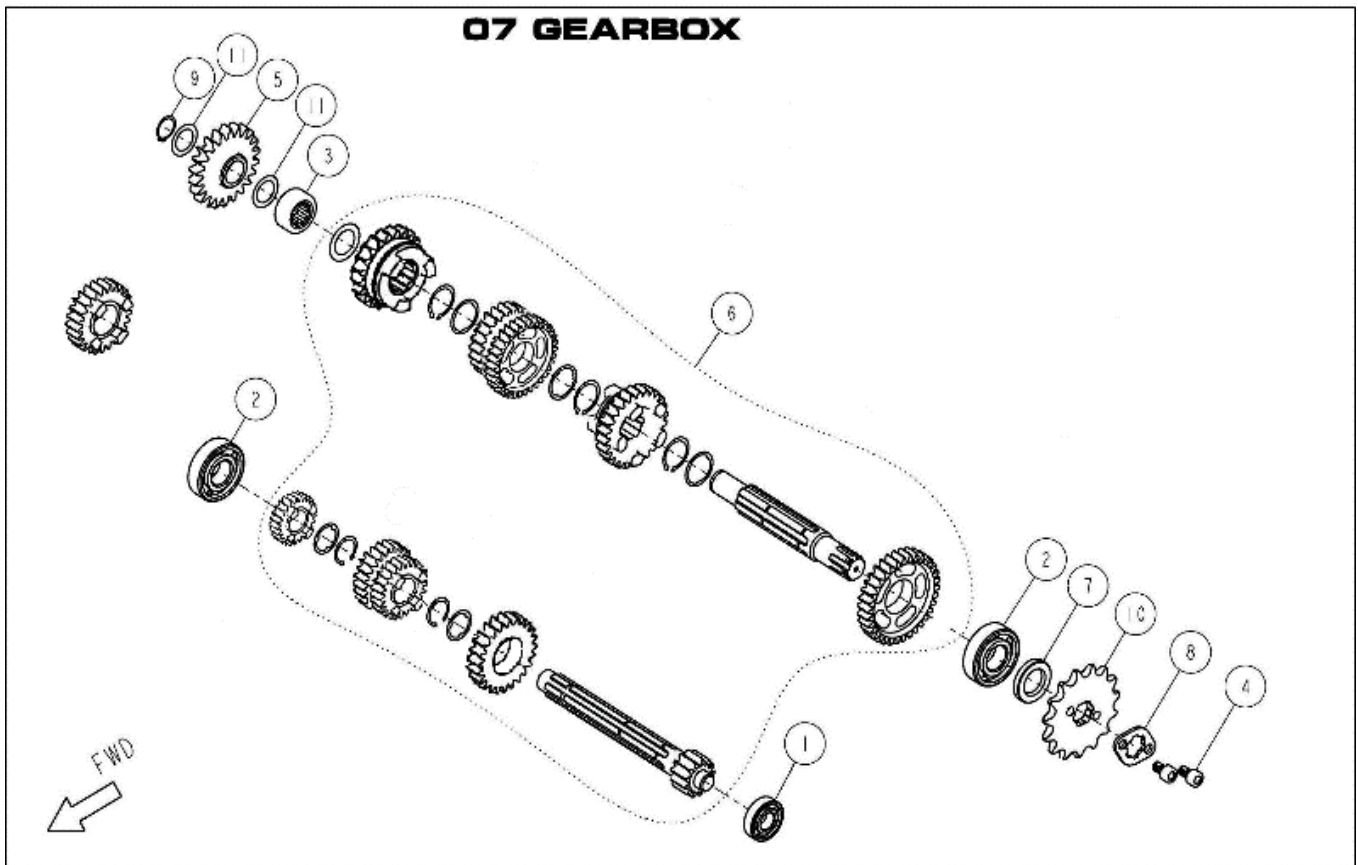
Ref	4 speed		CODE	DESCRIZIONE	DESCRIPTION	QTY
	190 FDX	190 FSM				
1	●	●	01.SD.0501.L	CUSCINETTO 6000	BEARING, #6000	1
2	●	●	01.SD.0502.L	FRIZIONE COMPL. Daytona	CLUTCH COMP DAYTONA	1
3	●	●	01.SD.0306.L	GHIERA M14 FISSAGGIO	NUT, SMALL M14	1
4	●	●	01.SD.0505.L	PIN ATTUATORE FRIZIONE 190	PIN, LIFTER CLUTCH	1
5	●	●	01.SD.0506.L	RONDELLA d.24x14,2x01,2	WASHER $\Phi 24 \times \Phi 14.2 \times 1.2$	1
	●	●	01.MO.0040.L	KIT DISCHI FRIZIONE	DRIVE FRICTION DISC SET	1

06 COVER CLUTCH



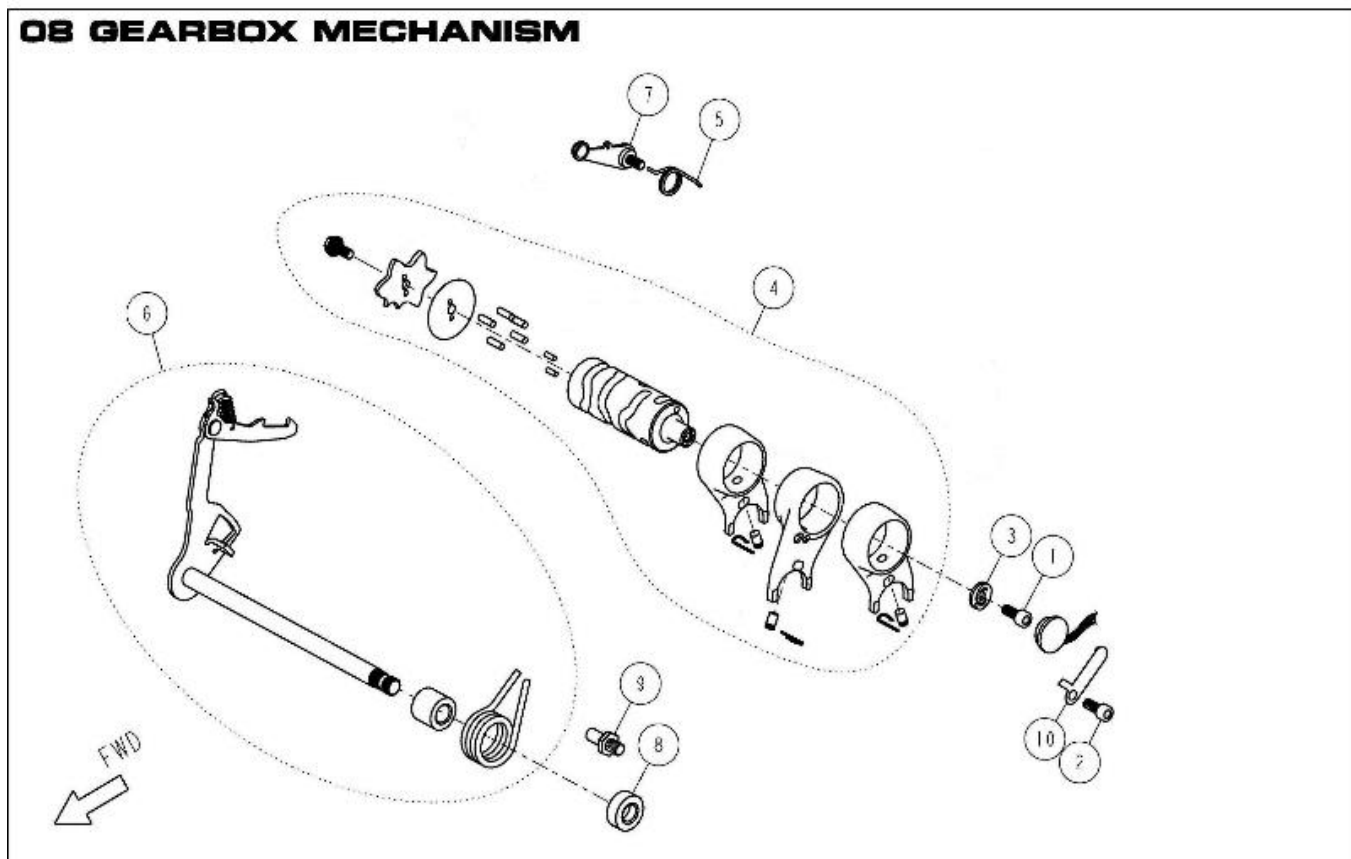
Ref	4 speed		CODE	DESCRIZIONE	DESCRIPTION	QTY
	190 FDX	190 FSM				
1	●	●	01.SD.0601.L	VITE FORATA M10 DAYTONA	BOLT, BANJO M10x22.5	1
2	●	●	01.SD.0602.L	VITE FLANGIATA M6X115	BOLT, HEXAGON FLANGE M6x115	1
3	●	●	01.SD.0603.L	VITE FLANGIATA M6X15	BOLT, HEXAGON FLANGE M6x15	1
4	●	●	01.SD.0604.L	VITE FLANGIATA M6X22	BOLT, HEXAGON FLANGE M6x22	1
5	●	●	01.SD.0605.L	VITE FLANGIATA M6X28	BOLT, HEXAGON FLANGE M6x28	1
6	●	●	01.SD.0105.L	VITE FLANGIATA M6X30	BOLT, HEXAGON FLANGE M6x30	1
7	●	●	01.SD.0607.L	VITE FLANGIATA M6X50	BOLT, HEXAGON FLANGE M6x50	1
8	●	●	01.SD.0401.L	VITE FLANGIATA M6X55	BOLT, HEXAGON FLANGE M6x55	1
9	●	●	01.SD.0609.L	VITE FLANGIATA M6X60	BOLT, HEXAGON FLANGE M6x60	1
10	●	●	01.SD.0610.L	VITE FLANGIATA M6X90	BOLT, HEXAGON FLANGE M6x90	1
11	●	●	01.SD.0611.L	COPERCHIO FRIZIONE 190	COVER, CLUTCH	1
12	●	●	01.SD.0612.L	COPERCHIO FILTRO OLIO 190	COVER, OIL FILTER	1
13	●	●	01.SD.0613.L	COPERCHIO PICC. FRIZIONE 190	COVER, SMALL CLUTCH	1
14	●	●	01.SD.0614.L	FILTRO OLIO Daytona	FILTER, OIL	1
15	●	●	01.SD.0615.L	GUARNIZIONE COPER. FRIZ. 190	GASKET, COVER CLUTCH	1
16	●	●	01.SD.0111.L	GUARNIZIONE M10	GASKET, M10	1
17	●	●	01.SD.0617.L	FISSAGGIO CAVO FRIZ 190	HOLDER, CABLE CLUTCH	1
18	●	●	01.SD.0618.L	LEVA ATTUAT. FRIZ. COMPLETA	LEVER, CLUTCH COMP	1
19	●	●	01.SD.0619.L	O-RING COPERCHIO OLIO 190	O-RING, $\Phi 38.6 \times 2.6$	1
20	●	●	01.SD.0620.L	O-RING COPER. PICC. FRIZIONE	O-RING, COVER SMALL CLUTCH	1
21	●	●	01.SD.0621.L	PARAOILIO d. 16 x d. 26 x 7	OIL SEAL, $\Phi 16 \times \Phi 26 \times 7$	1
22	●	●	01.SD.0622.L	PARAOILIO d. 17 x d. 10 x 5	OIL SEAL, $\Phi 17 \times \Phi 10 \times 5$	1
23	●	●	01.SD.0623.L	BYPASS OLIO Daytona	OIL THROUGH COMP	1
24	●	●	01.SD.0119.L	PIN d.8 x d.6,3 x12	PIN, DOWEL $\Phi 8 \times \Phi 6.3 \times 12$	1
25	●	●	01.SD.0625.L	TAPPO RIEMPIM. OLIO 190	RULER	1
26	●	●	01.SD.0626.L	MOLLA LEVA FRIZIONE	SPRING, LEVER CLUTCH	1
27	●	●	01.SD.0627.L	MOLLA FILTRO OLIO 190	SPRING, OIL FILTER	1
28	●	●	01.SD.0628.L	OBLO' LIVELLO OLIO 190	WINDOW, OIL LEVEL	1

07 GEARBOX



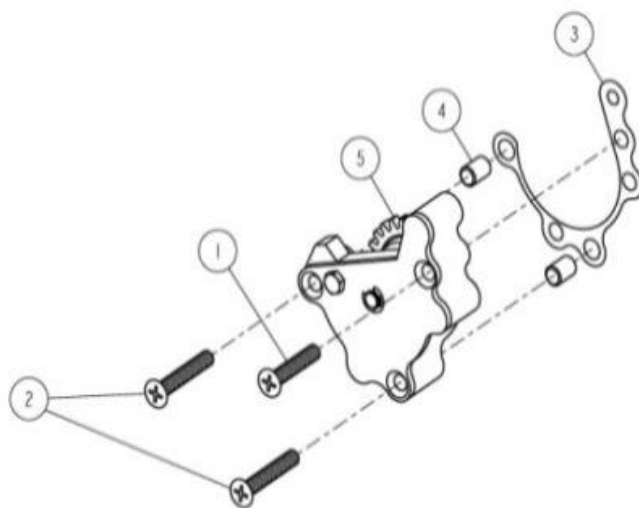
Ref	4 speed		CODE	DESCRIZIONE	DESCRIPTION	QTY
	190 FDX	190 FSM				
1	●	●	01.SD.0701.L	CUSCINETTO 6001	BEARING #6001	1
2	●	●	01.SD.0702.L	CUSCINETTO 6203	BEARING #6203	1
3	●	●	01.SD.0703.L	CUSCINETTO NK152712	BEARING NK152712	1
4	●	●	01.SW.0813.L	VITE FLANGIATA M6x10	BOLT, HEXAGON SOCKET M6x10	1
5	●	●	01.SD.0705.L	INGRANAGGIO AVVIMENTO	GEAR IDLE, STARTER	1
6	●	●	01.SD.0706.L	KIT CAMBIO COMP. 190 4S	GEAR, COMP, 4-SPEED	1
7	●	●	01.SD.0707.L	PARAOILIO 29x17x5	OIL SEAL, Φ29xΦ17x5	1
8	●	●	01.SD.0708.L	PIASTRINA FISS. PIGNONE	PLATE, FIXING SPROCKET DRIVE	1
9	●	●	01.SD.0709.L	ANELLO ELASTICO D.13,6	RETAINING RING Φ13.6	1
10	●	●	01.OT.0006.L	PIGNONE Z17	SPROCKET, DRIVE 17T	1
11	●	●	01.SD.0711.L	RONDELLA 22x15x0,5	WASHER, Φ22xΦ15x0.5	1

08 GEARBOX MECHANISM



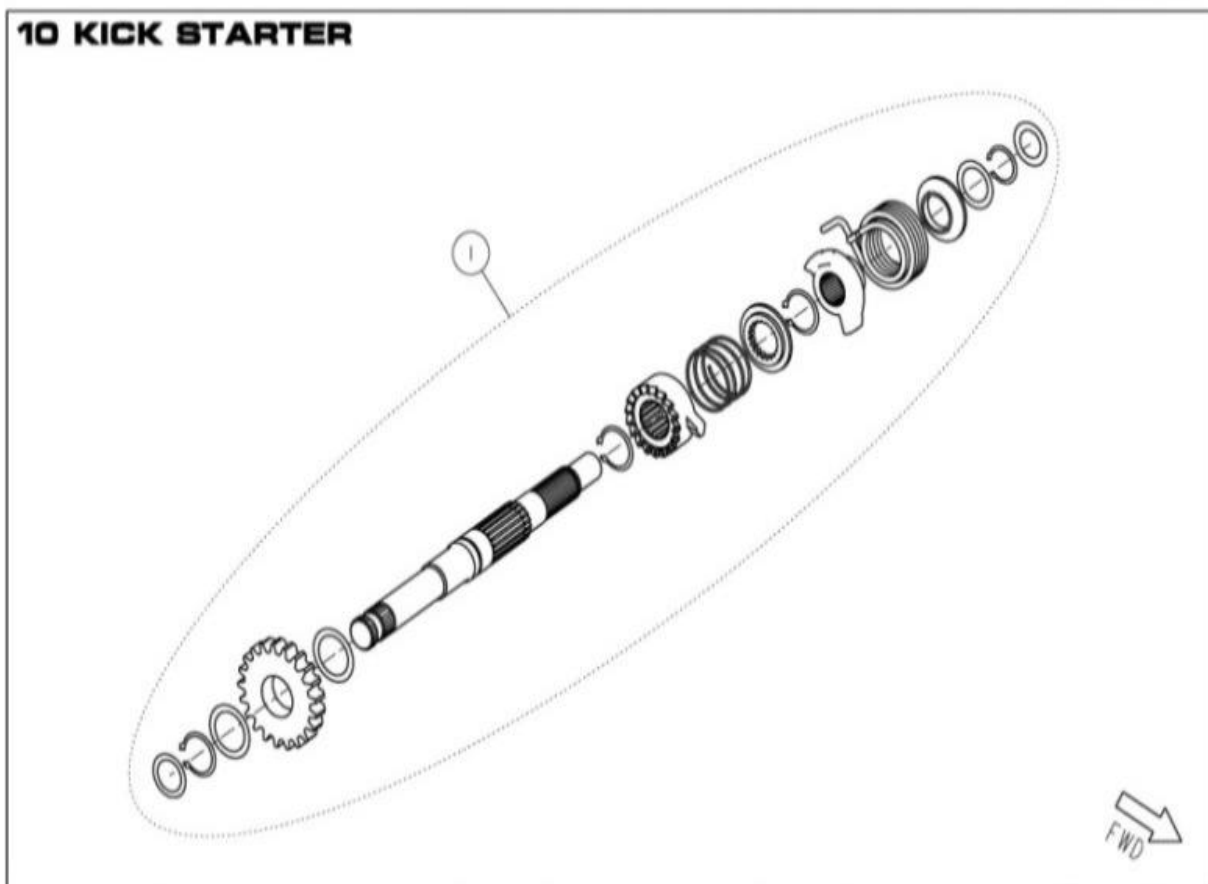
Ref	4 speed		CODE	DESCRIZIONE	DESCRIPTION	QTY
	190 FDX	190 FSM				
1	●	●	01.IF.0014.L	VITE TCEI M6X16	BOLT, HEXAGON SOCKET M6	1
2	●	●	01.SD.0102.L	VITE FLANGIATA M6x12	BOLT, HEXAGON SOCKET M6x15	1
3	●	●	01.SD.0803.L	INDICATORE MARCIA 190	CONTACT, GEAR INDICATION	1
4	●	●	01.SD.0805.L	DESMO, N-1-2-3-4 COMP	DRUM, SHIFT N-1-2-3-4 COMP	1
5	●	●	01.MO.0151.L	MOLLA OHVALE FERMO MARCIA	SPRING, LOCATING PLATE	1
6	●	●	01.SD.0806.L	ATTUATORE CAMBIO COMP. 4speed	LEVER, GEAR SHIFT COMP 4speed	1
7	●	●	01.SD.0807.L	FERMO MARCIA INSERITA 190	LOCATING PLATE UNIT	1
8	●	●	01.SD.0808.L	PARAOILIO, Φ11.6xΦ24x10	OIL SEAL, Φ11.6xΦ24x10	1
10	●	●	01.SD.0810.L	FERMO SENSORE NEUTRAL	PLATE, LOCATING SWITCH NEUTRAL	1
			01.SW.0925.L	SET FORCHETTE DESMO (2PZ)	DRUM FORK (2PC)	1

09 OIL PUMP



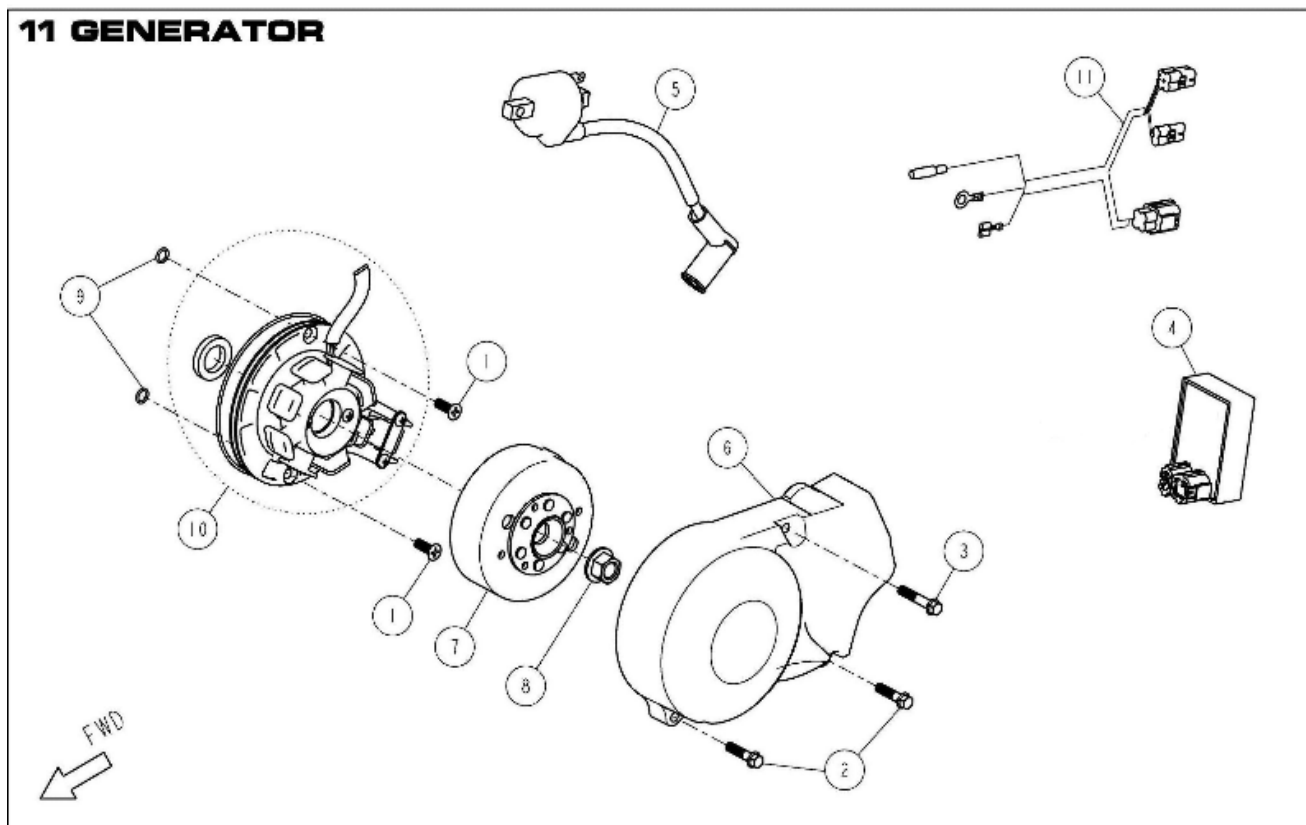
Ref	4 speed		CODE	DESCRIZIONE	DESCRIPTION	QTY
	190 FDX	190 FSM				
1	•	•	01.SD.0901.L	VITE CROCE SV. 6X30	BOLT, CROSS M6x30	1
2	•	•	01.SD.0902.L	VITE CROCE SV. 6X35	BOLT, CROSS M6x35	1
3	•	•	01.SD.0903.L	GUARNIZIONE POMPA OLIO 190	GASKET, PUMP OIL	1
4	•	•	01.SD.0119.L	PIN d.8 x d.6,3 x12	PIN, DOWEL $\Phi 8 \times \Phi 6.3 \times 12$	1
5	•	•	01.SD.0905.L	POMPA OLIO COMPL. 190	PUMP, OIL ASSY	1

10 KICK STARTER



Ref	4 speed		CODE	DESCRIZIONE	DESCRIPTION	QTY
	190 FDX	190 FSM				
1	•	•	01.SD.1001.L	ASSIEME KICK START 4speed	KICK STARTING SHAFT ASM 4S	1

11 GENERATOR



Ref	4 speed		CODE	DESCRIZIONE	DESCRIPTION	QTY
	190 FDX	190 FSM				
1	●	●	01.SD.1101.L	VITE CROCE M6x15	BOLT, CROSS M6x15	1
2	●	●	01.SD.1102.L	VITE FLANGIATA M6x25	BOLT, HEXAGON FLANGE M6x25	1
3	●	●	01.SD.1103.L	VITE FLANGIATA M6x32	BOLT, HEXAGON FLNAGE M6x32	1
4	●	●	01.SD.1104.L	CENTRALINA DAYTONA FSM/FS5	CDI, FSM / FS5	1
5	●	●	01.SD.1105.L	BOBINA 190 DAYTONA	COIL, IGN ITION	1
6	●	●	01.SD.1106.L	COPERCHIO ACCENSIONE 190	COVER, MAGNET	1
7	●	●	01.SD.1107.L	VOLANO FSM/FS5	ROTOR, 775 FSM/FS5	1
8	●	●	01.SD.1108.L	DADO FLANGIATO M12	NUT, MAGNET M12	1
9	●	●	01.SD.0116.L	ORING 190	O-RING, $\Phi 6.5 \times \Phi 1.8$	1
10	●	●	01.SD.1110.L	STATORE FSM/FS5	STATOR COIL, FSM/FS5	1
11	●	●	01.SD.1111.L	CABLAGGIO DAYTONA	WIRE HARNESS, DAYTONA	1